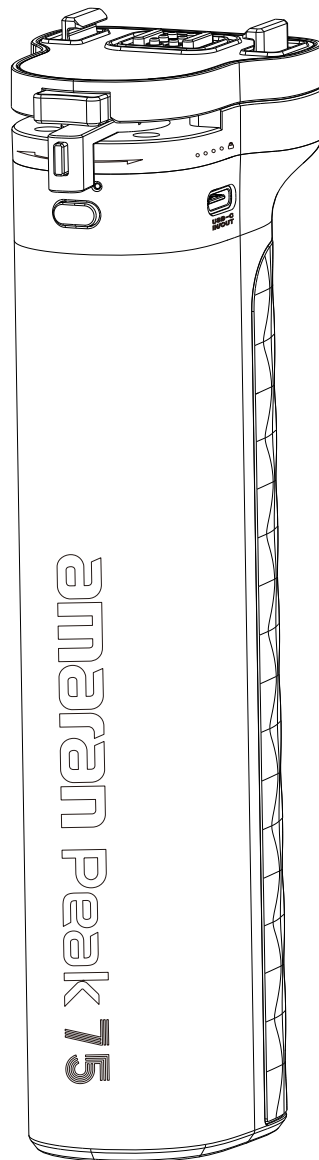


amaran[®]



amaran Peak 75

Product Manual

English

Table of Content

Introduction	03
Components List	04
Product Overview	05
Operations	06
1.amaran Ace E-Lock Quick-Release Mounting	06
2.amaran 1/4 to Baby Pin with Tilt	08
3.*Connecting Other Lighting Fixtures via the amaran Ace E-Lock Adapter (1/4" & 3/8" Screw Compatible) (Sold Separately)	09
4.Connecting the Light via USB-C Cable	10
Indicator Light Logic	11
Specifications	11
Declaration of Toxic and Hazardous Substances in Electronic Information	12
Important Safety Instructions	13
Disclaimer	15

Introduction

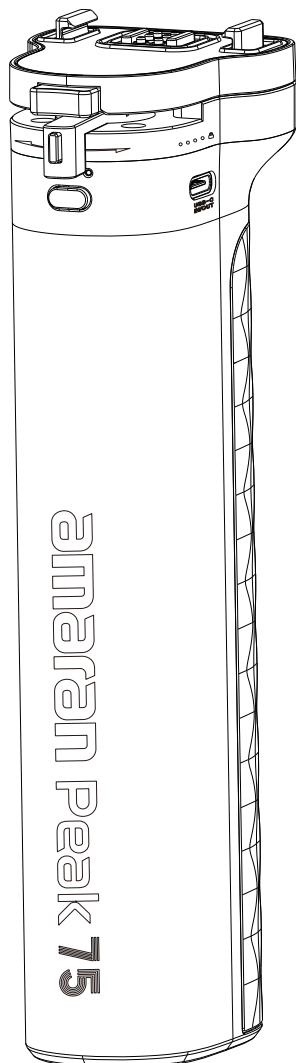
Thank you for purchasing the amaran Peak 75.

The amaran Peak 75 is a newly launched 75W mobile power solution designed by amaran for on-the-go shooting scenarios. Supporting up to 65W fast input charging and 75W maximum output, it utilizes high-quality lithium-ion batteries and advanced charge/discharge management chips to deliver outstanding performance in safety, efficiency, and compatibility. With automatic charge and discharge detection, the Peak 75 requires no button operation, offering a seamless and user-friendly experience.

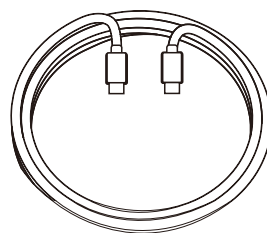
amaran Peak 75 provides a lightweight, high-capacity, and cost-effective mobile power solution tailored for creators on the move.

Components List

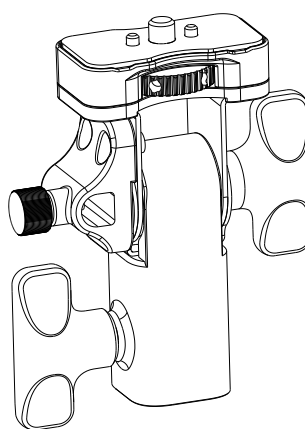
Please make sure all accessories listed below are complete before using. If not, please contact your sellers immediately.



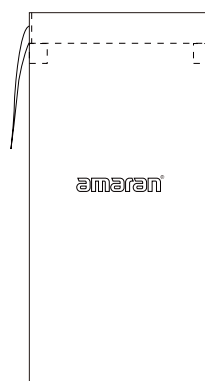
amaran
Peak 75 x 1



amaran
USB-C to USB-C Charging Cable (1.5m, 65W) x 1



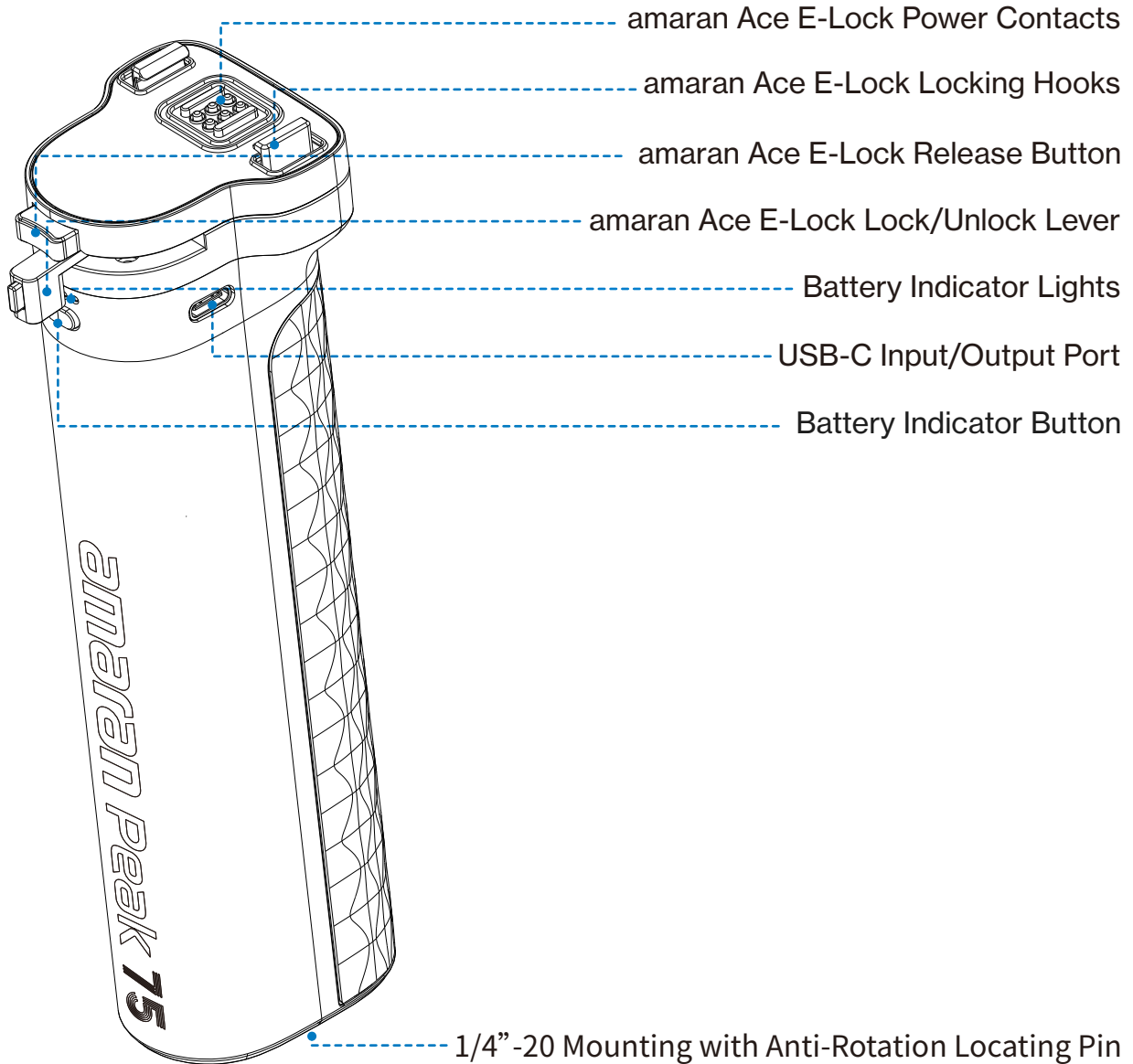
amaran
1/4 to Baby Pin with Tilt x 1



amaran
Peak 75 Drawstring Pouch x 1

Tip: The illustrations in the manual are diagrams for reference only. Due to the continuous development of new versions of the product, if there are any differences between the product and the user manual diagrams, please refer to the product itself.

Product Overview



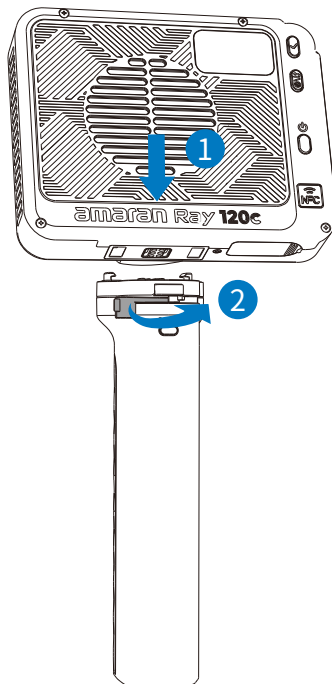
USB-C Input/Output Port	Supports bidirectional power flow. It can charge the amaran Peak 75 itself (up to 65W PD fast charging input) or output power to compatible devices. Fully compatible with mainstream PD protocols.
Battery Indicator Button	Press to activate the battery level display, allowing users to check the remaining power at any time.
Battery Indicator Lights	Composed of multiple LEDs that indicate the current battery level.
amaran Ace E-Lock Power Contacts	Designed to connect with the Ace E-Lock interface on amaran lights, enabling fast and reliable power delivery. Features excellent conductivity and contact safety for stable output.

amaran Ace E-Lock Locking Hooks	Mechanically secure the power connection with the light via the Ace E-Lock quick-release interface, ensuring stability during movement or operation.
amaran Ace E-Lock Release Button	Press to quickly detach the power connection from the light.
amaran Ace E-Lock Lock/Unlock Lever	Manually switches the quick-release module between locked and unlocked states.
1/4"-20 Mounting with Anti-Rotation Locating Pin	Can be used to mount the product in various positions, such as on stands or magic arms, to accommodate diverse shooting needs.

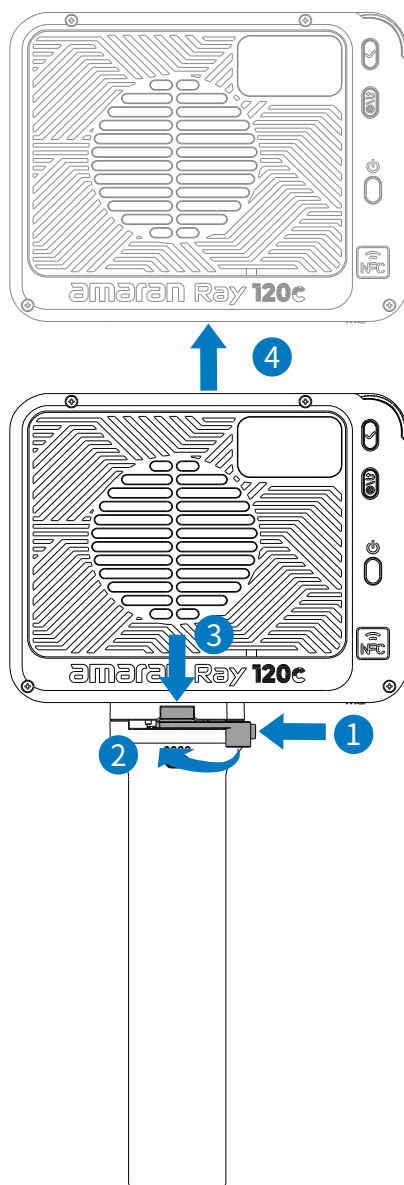
Operations

1. amaran Ace E-Lock Quick-Release Mounting

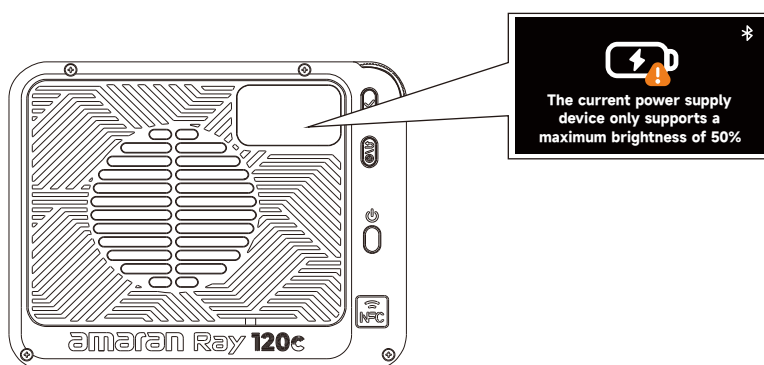
When connecting the light to the amaran Peak 75, ensure that the blue release button is facing the back of the fixture. Align the amaran Ace E-Lock hooks on the Peak 75 with the mounting plate on the light, then press the light down vertically until you hear a “click,” indicating a successful pre-connection. Next, push the locking lever to the right until it is fully locked. No additional power cables are required – the light will draw power directly from the amaran Peak 75.



To disconnect, first press the blue button on the locking lever and slide the lever all the way to the left. Then, press the blue release button and pull the light downward to detach.

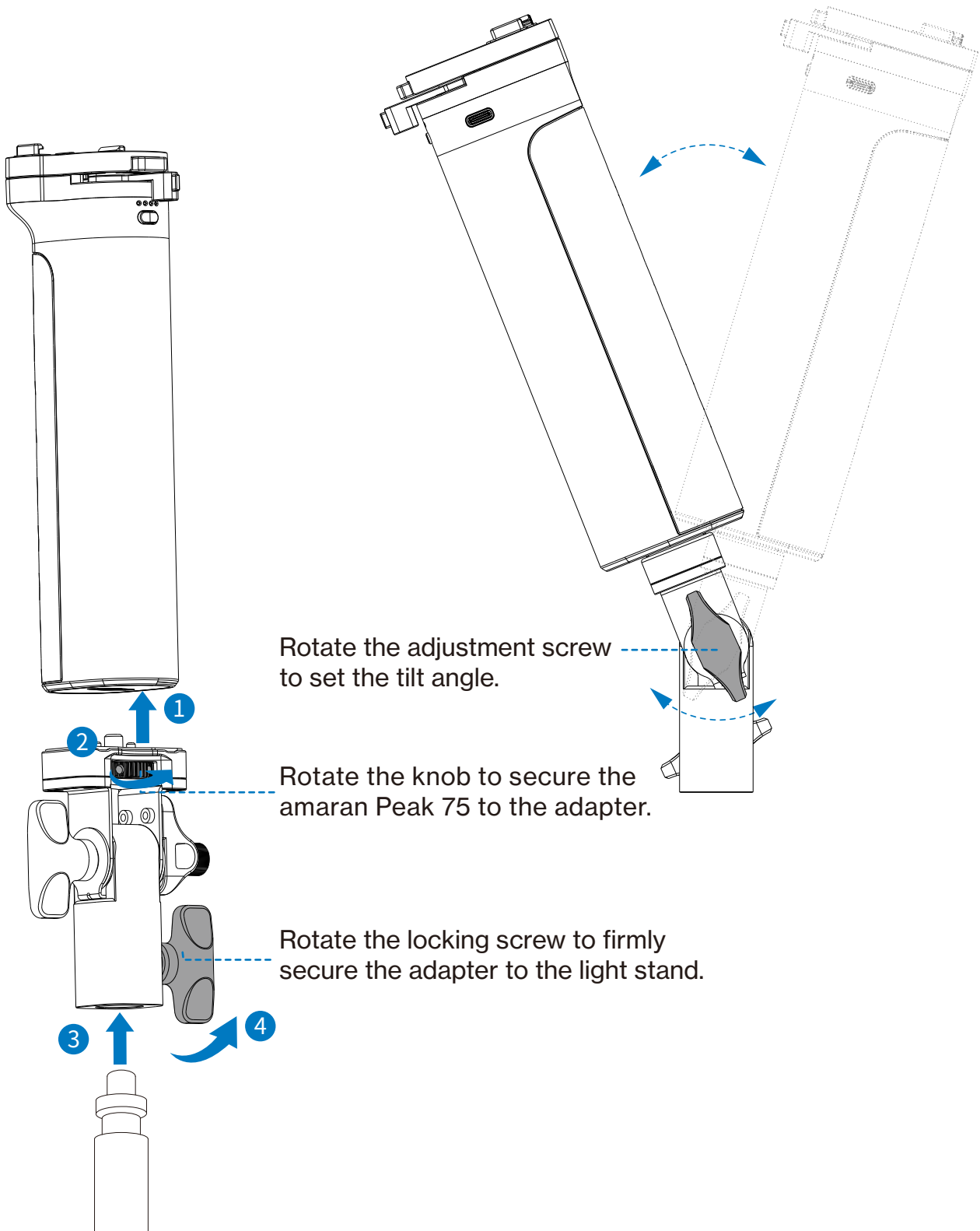


**When used with the amaran Peak 75, the amaran Ray 120c will operate at 50% of its maximum output.*



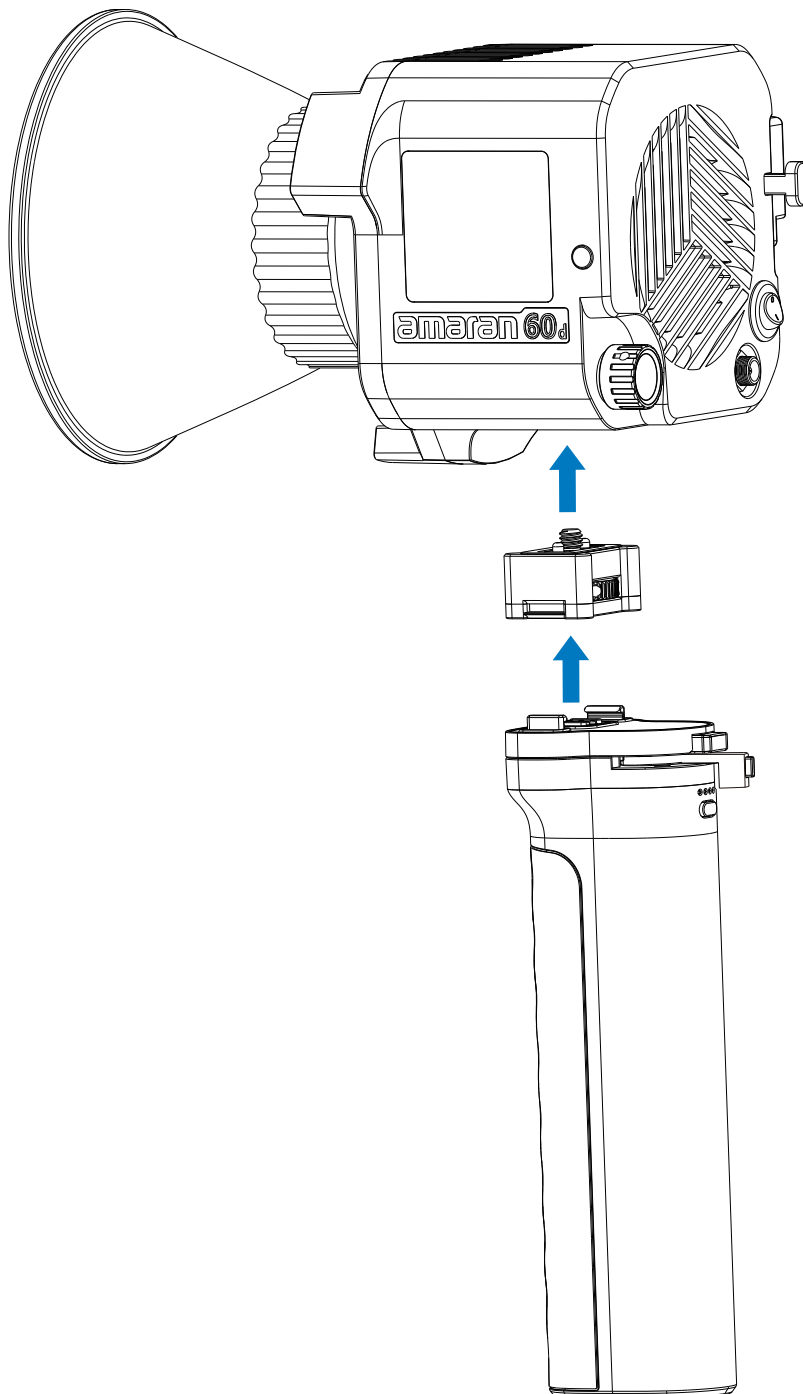
2. amaran 1/4 to Baby Pin with Tilt

Align the amaran 1/4 to Baby Pin with Tilt adapter with the 1/4" threaded mount on the bottom of the amaran Peak 75. The bottom of the grip includes a Baby Pin mount, which can be directly mounted to compatible light stands and secured using the locking screw. Rotate the knob on the adapter clockwise to secure it firmly in place. By adjusting the side screw on the adapter, you can flexibly change the tilt angle of the amaran Peak 75.



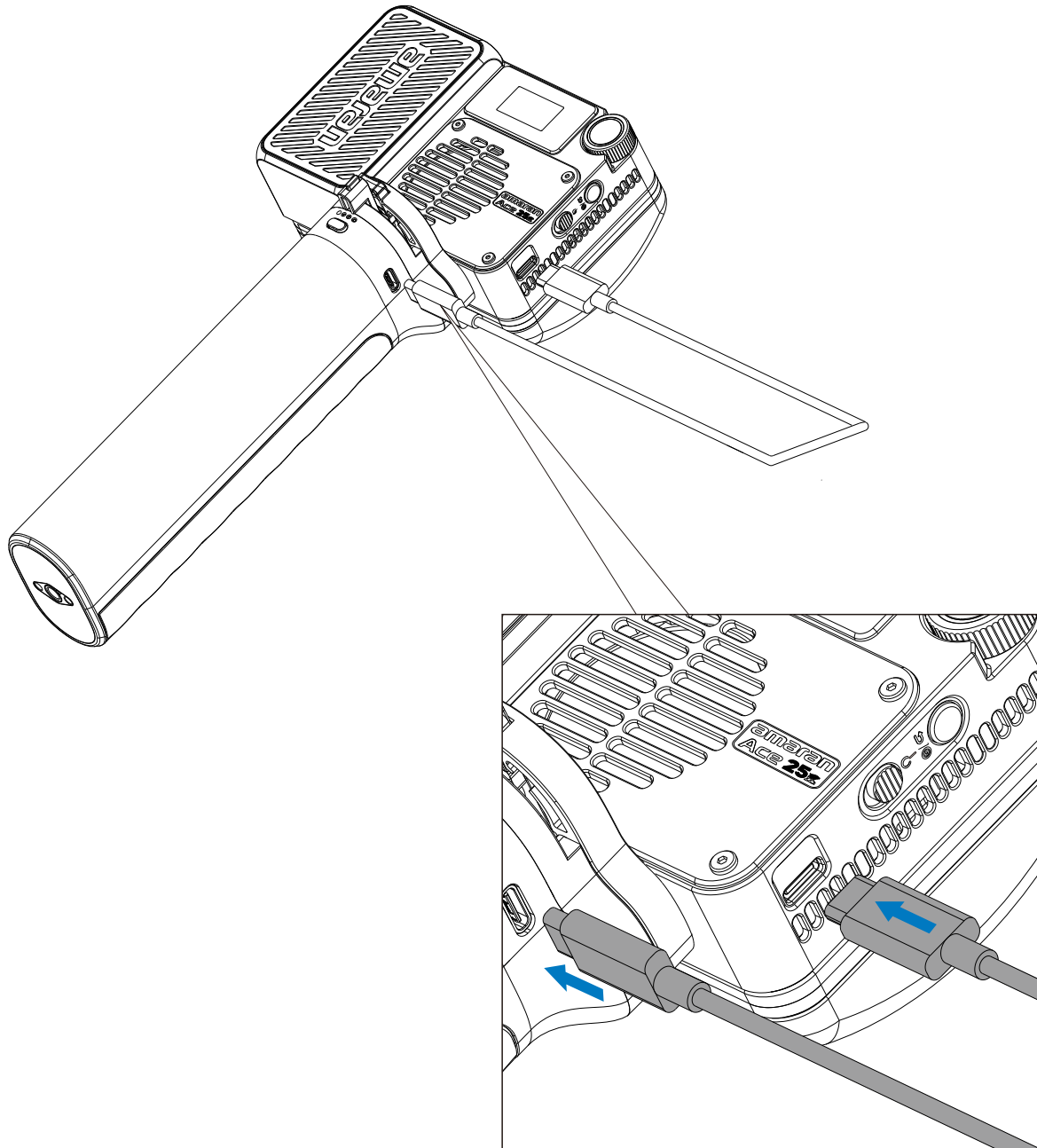
3.*Connecting Other Lighting Fixtures via the amaran Ace E-Lock Adapter (1/4" & 3/8" Screw Compatible) (Sold Separately)

Align the amaran Ace E-Lock Adapter with the Ace E-Lock claw on the amaran Peak and the Ace E-Lock mount on the lighting fixture. Press straight down until you hear a "click" indicating the adapter is securely locked in place. This adapter allows compatibility with lighting fixtures that have 1/4" or 3/8" screw holes and can be powered and controlled according to the fixture's requirements. To detach, press the blue release button and pull the amaran Peak downward to separate.



4. Connecting the Light via USB-C Cable

Connect one end of the USB-C cable to the USB-C input/output port on the amaran Peak 75, and the other end to the USB-C input port on the light. The amaran Peak 75 will then provide power to the fixture. Its USB-C port supports a maximum output of 65W, making this connection method compatible with lights and other electronic devices that require less than 65W of input power.



Indicator Light Logic

Discharge				
<10%	10% - 25%	25% - 50%	50% - 75%	75-100%
*	◎	◎◎	◎◎◎	◎◎◎◎
Charge				
<25%	25% - 50%	50% - 75%	75-100%	100%
*	◎*	◎◎*	◎◎◎*	◎◎◎◎

◎: Indicator light stays on.

*: Indicator light is flashing.

Specifications

Rated Input Voltage/Current	USB-C: 5V,3A,9V,3A,12V,3A,15V,3A,20V,3.25A [65W Max]
Rated Output Voltage/Current	USB-C: 5V,3A,9V,3A,12V,3A,15V,3A,20V,3.25A [65W Max] amaran Ace E-Lock 75W [Max] USB-C + amaran Ace E-Lock 10W+75W
Total Output	85W [Max]
Battery Capacity (Nominal Capacity)	4500mAh/66.6Wh
Rated Capacity	5V/10000mAh,9V/5500mAh,12V/4100mAh,15V/3300mAh 20V/2400mAh
Product Dimensions	186x53x36mm
Product Weight	528g

Declaration of Toxic and Hazardous Substances in Electronic Information

Component	Toxic and Hazardous Substances or Elements					
	Lead (Pb)	Mercury (Hg)	Cadmium (Cd)	Hexavalent chromium (Cr VI)	Polybrominated biphenyls (PBB)	Polybrominated diphenyl ethers (PBDE)
PCB	X	○	○	○	○	○
Plastic	○	○	○	○	○	○
Metal	X	○	○	○	○	○
Accessories	○	○	○	○	○	○

This table is prepared in accordance with the provisions of SJ/T 11364.

O: Indicates that the content of the toxic and hazardous substance in all homogeneous materials of the component is below the limit specified by GB/T 26572.

X: Indicates that the content of the toxic and hazardous substance exceeds the limit specified by GB/T 26572 in at least one homogeneous material of the component.

The information in this table is provided to suppliers in the form of data and testing results that comply with RoHS environmental requirements.

Important Safety Instructions

When using the amaran Peak 75, basic safety precautions should always be followed, including the following:

1. Please read and understand all safety instructions before using.
2. Do not place this product in high-temperature, humid, or direct sunlight environments. It is recommended to store it in a cool and dry place.
3. Operating temperature should be maintained between 0°C and 25°C (32°F to 77°F).
4. Do not disassemble this product yourself. If repair or service is needed, please contact authorized service personnel. Improper reassembly may result in malfunction, electric shock, or personal injury.
5. Do not immerse this product in water or other liquids. If liquid enters the device accidentally, stop using it immediately and contact professional service.
6. Close supervision is necessary when this product is used by or near children. Do not leave the fixture unattended while in use.
7. Do not use the device near flammable, explosive, or volatile solvents.
8. If any abnormal condition occurs (e.g., overheating, smoke, or strange odor), disconnect power immediately and stop using.
9. Please only use manufacturer-recommended or certified power adapters and USB-C cables.
10. If the device is unused for a long time, it is recommended to fully charge and discharge the battery every three months to maintain battery health.
11. It is normal for the product to heat up during use.
12. Battery performance will gradually degrade over a few years, which is a normal phenomenon.
13. Batteries may explode or leak flammable liquid or gas under extreme pressure changes or high temperatures.
14. Do not expose batteries to fire or extremely high temperatures.
15. Discharged batteries should be disposed of properly to avoid short circuits, fire, or smoke.
16. Do not continue using the device after it has been submerged in water.
17. Clean the device using a soft, dry cloth. Do not use solvents or chemical cleaners.
18. Always power off the device and ensure safety before installing or adjusting any accessories.

19.Using unauthorized accessories may cause device malfunction or personal injury.

20.Avoid drops, strong impacts, or excessive pressure during transport and use.

21.If repair is needed, please contact authorized service personnel. Damage caused by unauthorized disassembly is not covered by warranty. Users may choose paid repair service.

22.This user guide is based on the company's strict testing procedures. Further notice will not be given in the event of design or specification changes.

Disclaimer

Before using this product, please read the product manual to ensure correct use under the complete understanding. After reading, please keep the product manual properly for future reference. In case of not operating this product correctly, it may seriously harm yourself or others, or result in product damage and property loss. When using this product, it shall be deemed that you have understood, recognized and accepted all clauses and contents of this document. The user commits to be responsible for their own behaviors and all consequences thereof, amaran shall not be liable for any loss due to the user who does not use this product in accordance with the product manual.

Under the laws and regulations, our company holds the final explanation right of this document and all related documents of this product. No prior notice will be given for any update, revision or termination. Please visit the official amaran website for the latest product information.